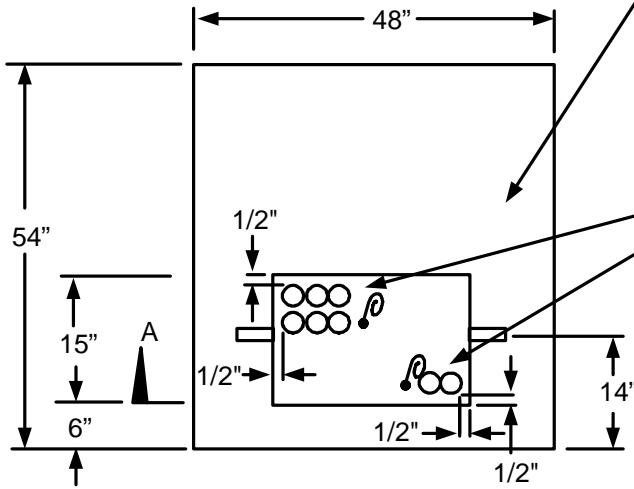


RS-19: COMMERCIAL TRANSFORMER PAD, ONE 1PH, 12 OR 25KV

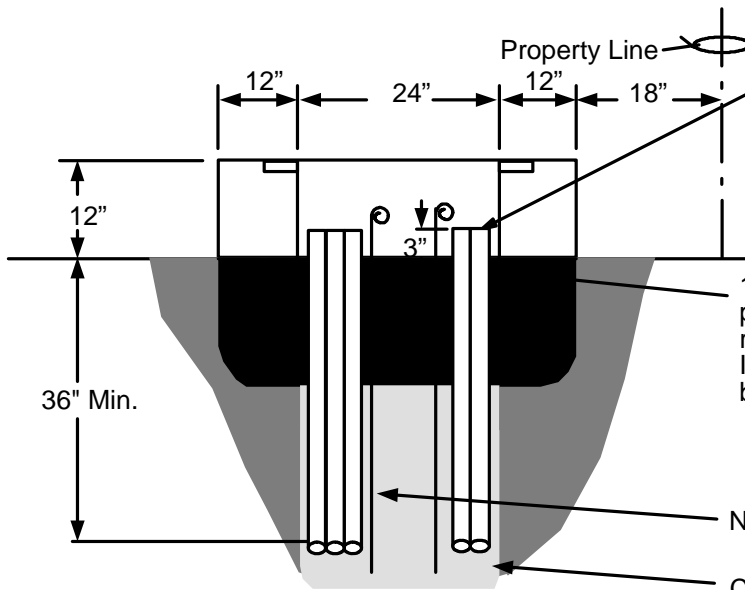
INSTALLATION REQUIREMENTS

For design requirements, see RS-13, page 1

APPROVED STRUCTURE	
MANUFACTURER	PAD
Jensen Precast	J-RS-13
Rockway Precast	R-RS-13



Position of riser conduits:
 Secondary – Rear-left quadrant
 Primary – Front-right quadrant
 Check job drawing for number and location of conduits



See RPI-G (NPC Requirements for Customer Owned Service Cables, page 9) for conductor and terminal requirements.

12" Type II base 90% compacted under pad. Compaction testing and results required at the discretion of NPC Inspector. Additional base material may be required by the NPC Inspector.


Note 1

Conduit riser trench areas to be filled with trench sand up to Type II base.


SECTION "A"

NOTES:

- Grounding by customer shall be 2-50' #2 stranded bare copper ground wires laid in the bottom of the conduit trench in opposite directions with 2-5' tails in the pad opening.
 Note: Only at the discretion of NPC's inspectors, a 1/2" x 8' copper ground rod can be installed.
- For location and clearances to other structures, see: RS-5.
- Retaining wall required when grade from bottom of pad rises or lowers more than 1' in 5' horizontally

REV	REVISION RECORD	ENGR BY:	APPD BY:	DATE	T&D STANDARDS NEVADA POWER COMPANY ELECTRIC SERVICE REQUIREMENTS			
5	 RS-19 Commercial Transformer Pad One 1Ph, 12 or 25kV			
4	.	.	.					
3	.	.	.					
2	.	.	.	DI: ESRNPC-RS019-REV01				SHEET 1 OF 2
1	New Format	DH	DA	11/06				

THIS PAGE INTENTIONALLY LEFT BLANK

		T&D STANDARDS NEVADA POWER COMPANY ELECTRIC SERVICE REQUIREMENTS	
RS-19 Commercial Transformer Pad One 1Ph, 12 or 25kV			
DI: ESRNPC-RS019-REV01		SHEET 2 OF 2	
SCALE: NONE	INITIAL ISSUE DATE: 11/20/2006		