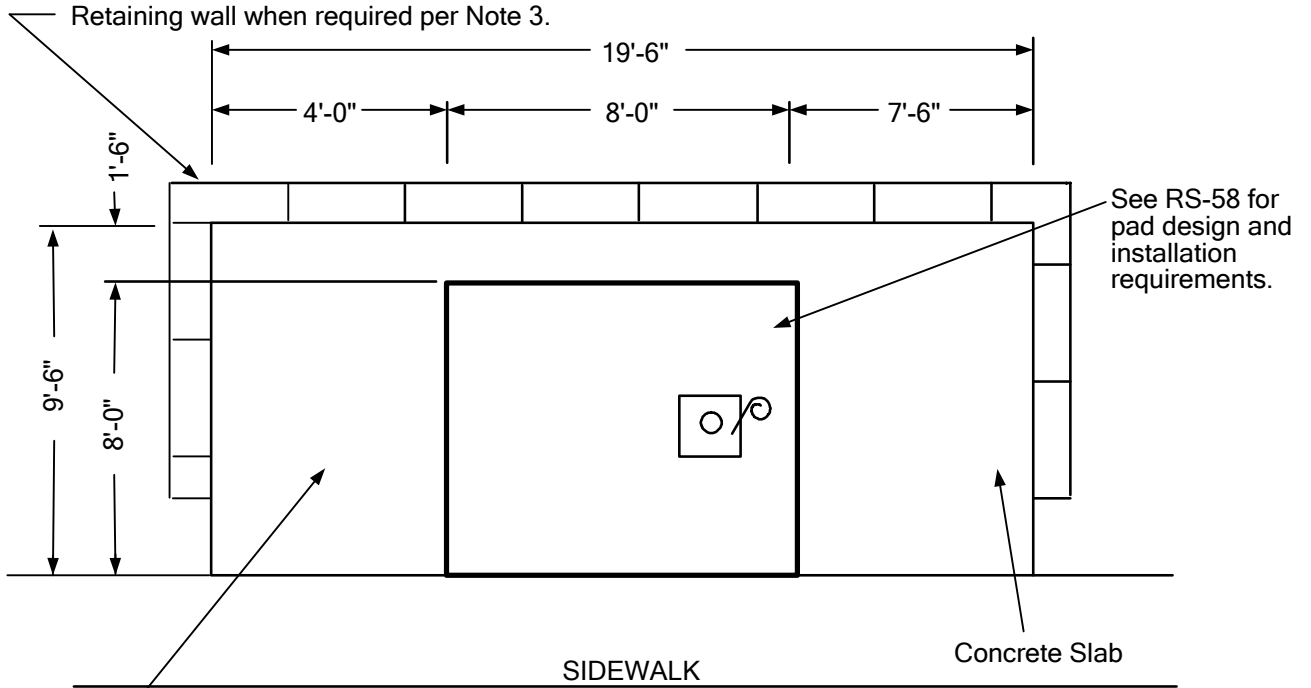
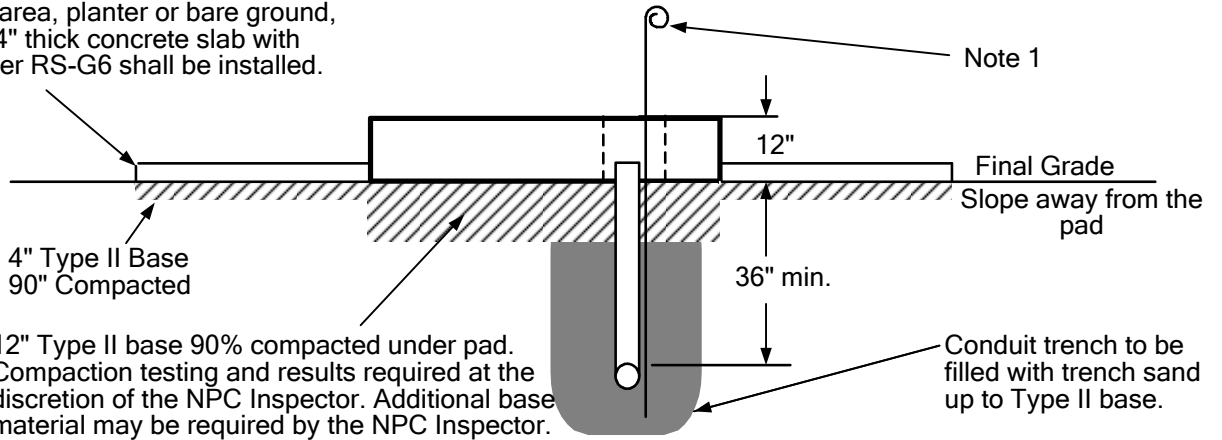



RS-8: 25KV CAPACITOR BANK PAD, PLACEMENT ADJACENT TO SIDEWALK INSTALLATION REQUIREMENTS



When the equipment is located in a grassy area, planter or bare ground, then a 4" thick concrete slab with mesh per RS-G6 shall be installed.



REV	REVISION RECORD	ENGR BY:	APPD BY:	DATE
5
4
3
2
1	New Format	DH	DA	9/06



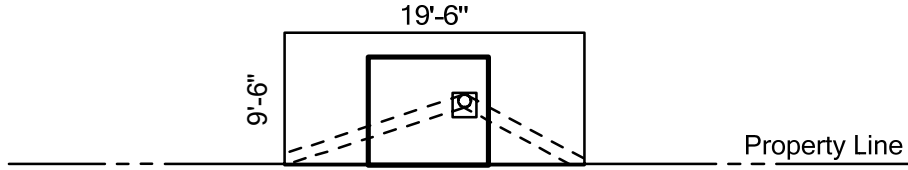
**T&D STANDARDS
NEVADA POWER COMPANY
ELECTRIC SERVICE REQUIREMENTS**



**RS-8 25kV Capacitor Bank Pad
Placement Adjacent to Sidewalk**

DI: ESRNPC-RS008-REV01	SHEET 1 OF 2	1
SCALE: NONE	INITIAL ISSUE DATE: 09/27/2006	

NOTES:

1. Grounding by customer shall be 2-50' #2 stranded bare copper ground wires laid in the bottom of the conduit trench in opposite directions with 2-5' tails above the pad opening.
2. For location and clearances to other structures, see RS-13 to RS-28 and RS-5.
3. Retaining wall required when grade from bottom of pad rises or lowers more than 1' in 5' horizontally.
4. Required easement:



		T&D STANDARDS	
		NEVADA POWER COMPANY	
		ELECTRIC SERVICE REQUIREMENTS	
RS-8 25kV Capacitor Bank Pad			
Placement Adjacent to Sidewalk			
DI: ESRNPC-RS008-REV01		SHEET	
SCALE: NONE	INITIAL ISSUE	2 OF 2	
	DATE:	09/27/2006	